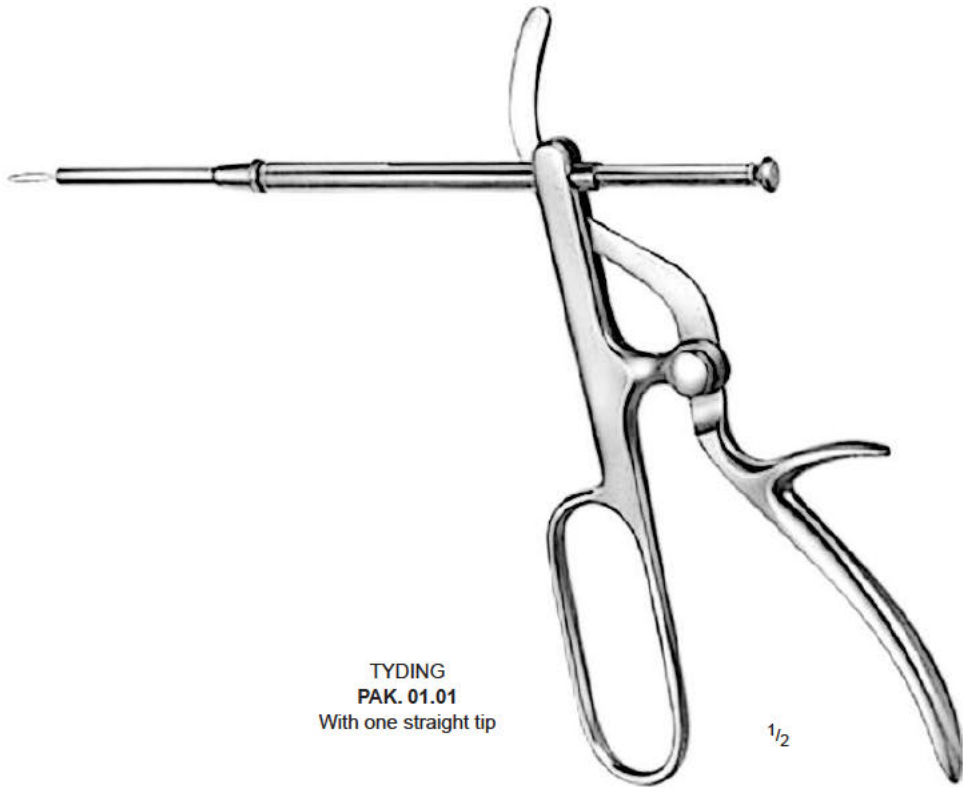


Tonsil Snares, Punch Forceps



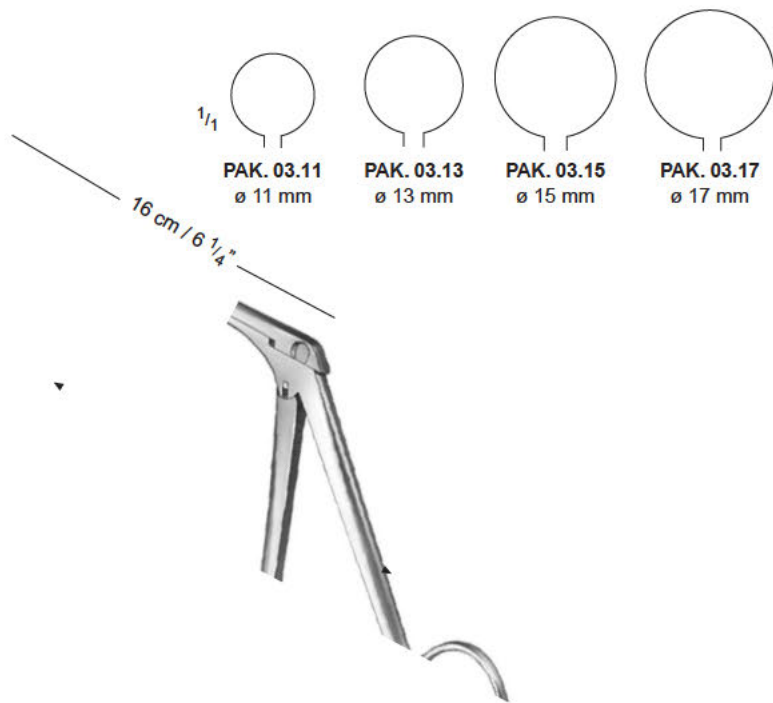
TYDING
 PAK. 01.01
 With one straight tip

1/2



EVES
 PAC. 07.28
 28 cm / 11"

1/2



1/4

PAK. 03.11
 ø 11 mm

PAK. 03.13
 ø 13 mm

PAK. 03.15
 ø 15 mm

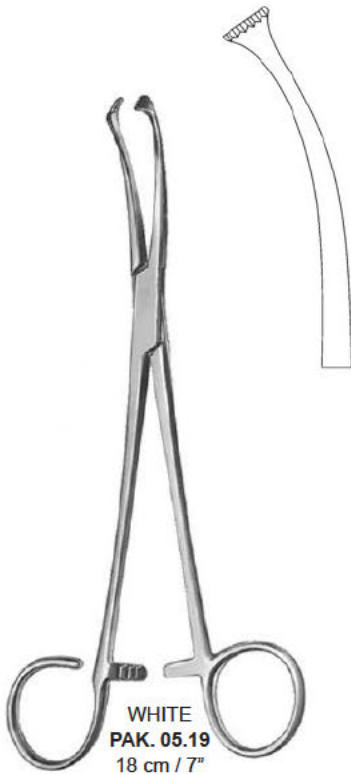
PAK. 03.17
 ø 17 mm

16 cm / 6 1/4"

1/2

HARTMANN
 PAK. 03.11 - PAK. 03.17

Tonsil Seizing Forceps, Scissors, Enucleators, Retractors



WHITE
PAK. 05.19
 18 cm / 7"



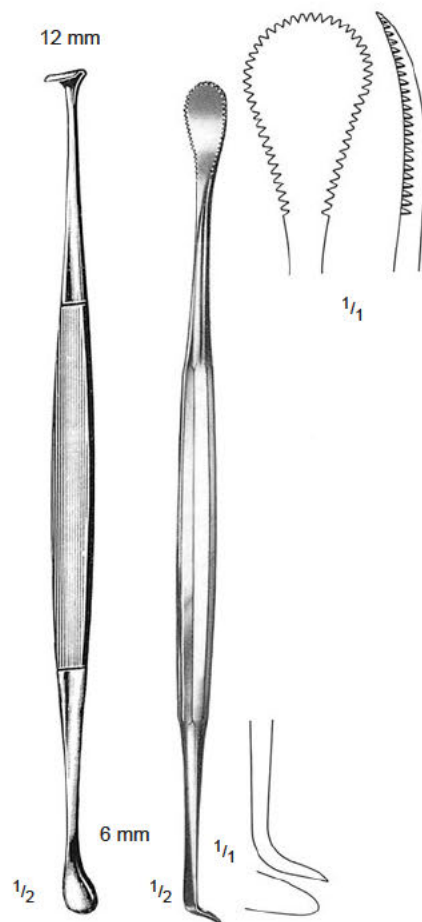
BLOHMKE
PAK. 09.20
 20 cm / 8"



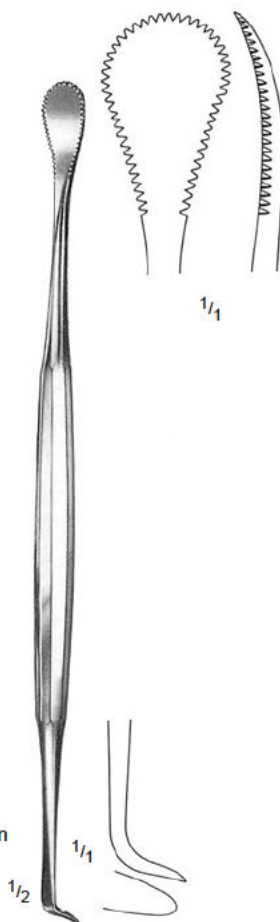
DEAN
PAK. 25.17
 17 cm / 6 3/4"



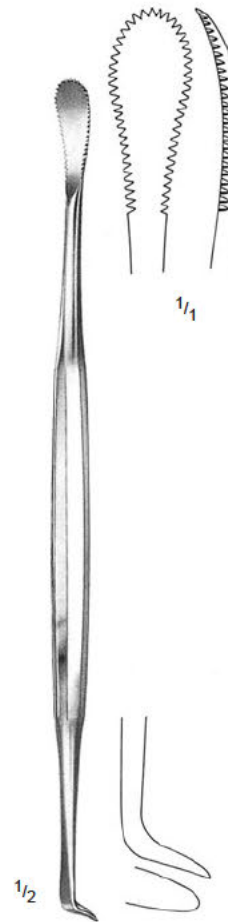
DEAN TC
PAK. 25.57
 17 cm / 6 3/4"



HURD
PAK. 17.22
 22.5 cm / 9"



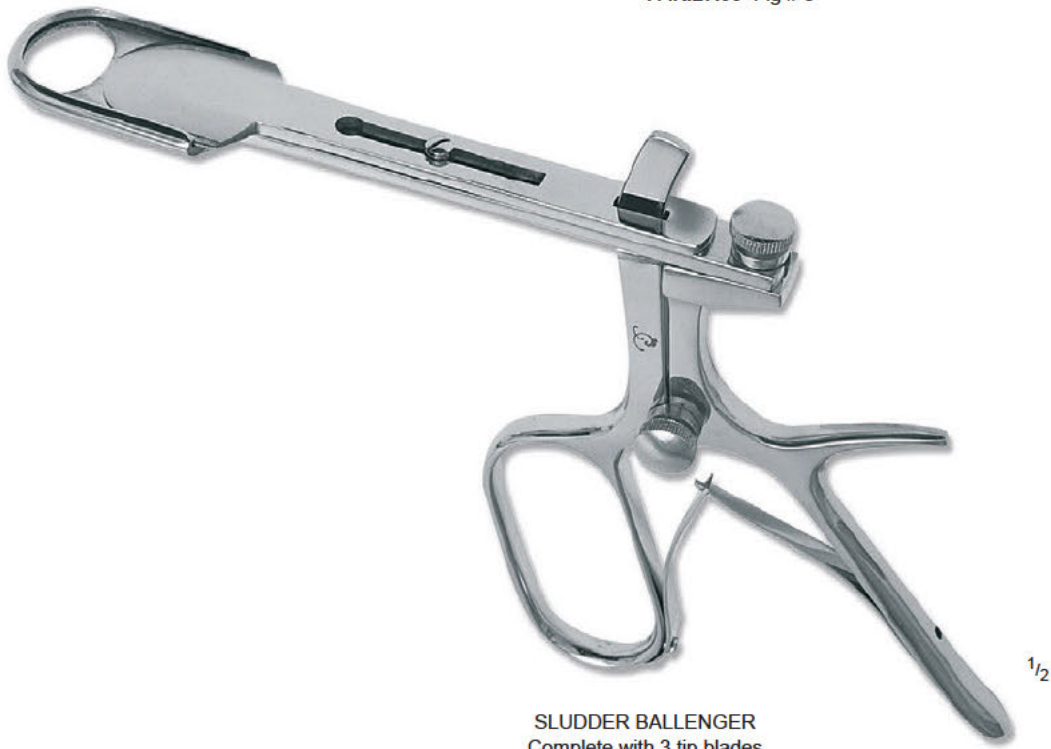
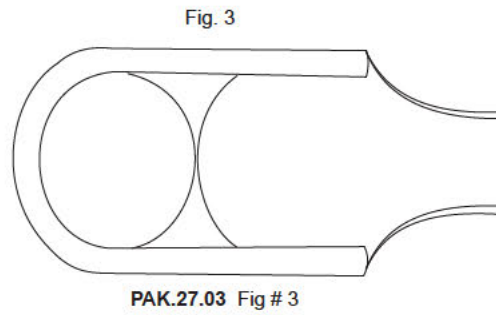
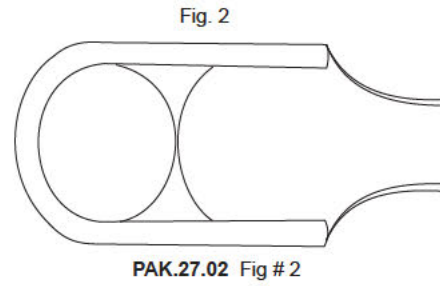
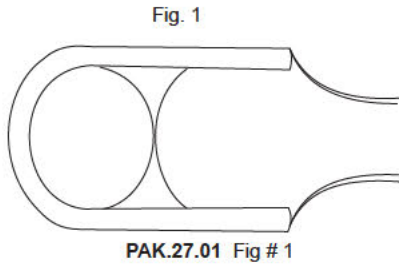
HENKE
PAK. 18.23
 23 cm / 9"



HENKE
PAK. 19.23
 23 cm / 9"

For Tonsil siezing
 Forceps, please see
 page no. 59

Tonsillectomy Forceps



SLUDDER BALLENGER
Complete with 3 tip blades
PAK. 27.00

Laryngeal Mirrors, Adenoid Currettes

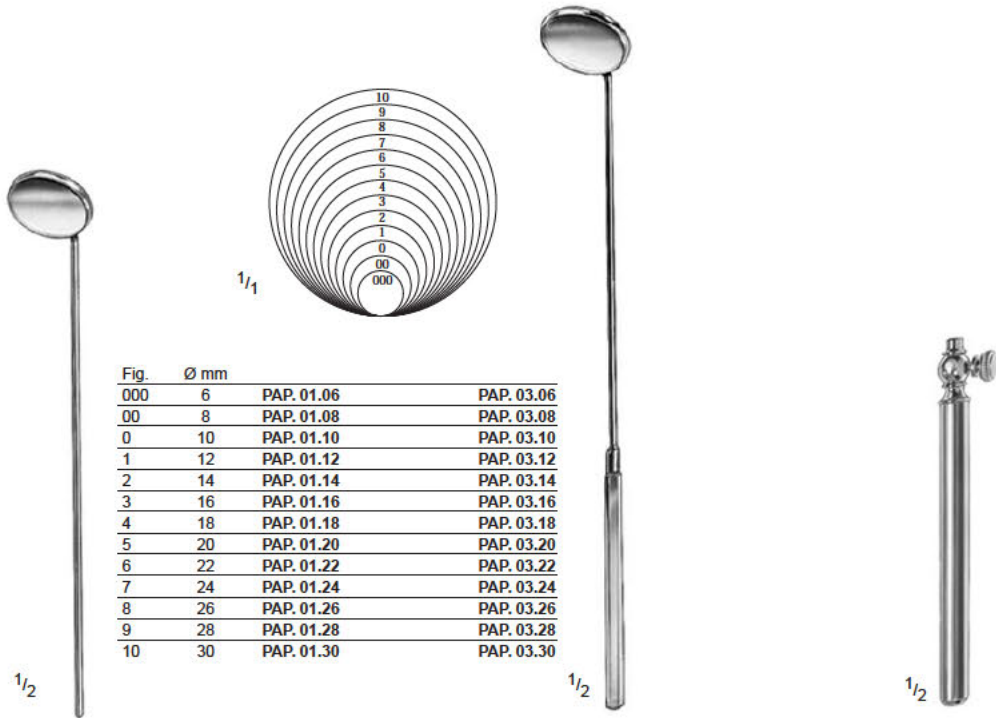
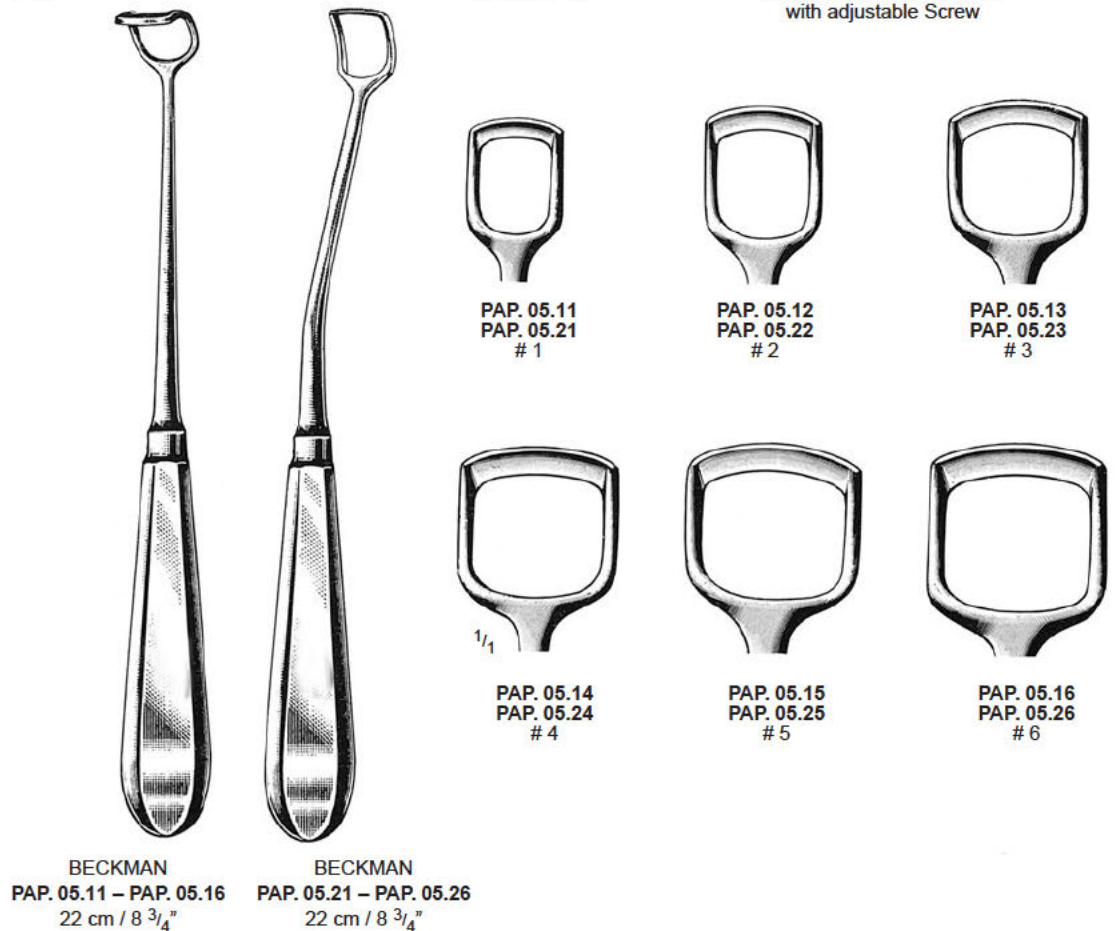


Fig.	Ø mm		
000	6	PAP. 01.06	PAP. 03.06
00	8	PAP. 01.08	PAP. 03.08
0	10	PAP. 01.10	PAP. 03.10
1	12	PAP. 01.12	PAP. 03.12
2	14	PAP. 01.14	PAP. 03.14
3	16	PAP. 01.16	PAP. 03.16
4	18	PAP. 01.18	PAP. 03.18
5	20	PAP. 01.20	PAP. 03.20
6	22	PAP. 01.22	PAP. 03.22
7	24	PAP. 01.24	PAP. 03.24
8	26	PAP. 01.26	PAP. 03.26
9	28	PAP. 01.28	PAP. 03.28
10	30	PAP. 01.30	PAP. 03.30

Laryngeal Mirror without Handle
 PAP. 01.06 – PAP. 01.30
 12 cm / 4 3/4"

Laryngeal Mirror with Handle
 PAP. 03.06 – PAP. 03.30
 22 cm / 8 3/4"

PAP. 01.50
 Handle for Laryngeal Mirror
 with adjustable Screw



BECKMAN
 PAP. 05.11 – PAP. 05.16
 22 cm / 8 3/4"

BECKMAN
 PAP. 05.21 – PAP. 05.26
 22 cm / 8 3/4"

PAP. 05.11
 PAP. 05.21
 # 1

PAP. 05.12
 PAP. 05.22
 # 2

PAP. 05.13
 PAP. 05.23
 # 3

PAP. 05.14
 PAP. 05.24
 # 4

PAP. 05.15
 PAP. 05.25
 # 5

PAP. 05.16
 PAP. 05.26
 # 6

Tracheal Tubes, Dilators, Retractors

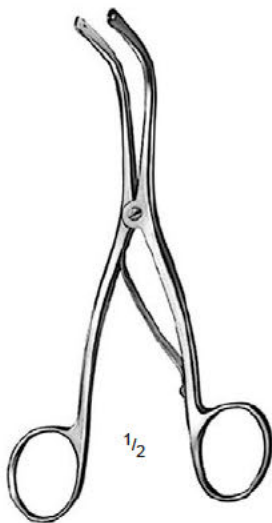


CHEVALIER-JACKSON
 PAP. 33.50 – PAP. 33.69



LUER
 PAP. 33.80 – PAP. 33.99

Fig	mm ø	German Silver	Silver Plated	German Silver	Silver Plated
0	4	PAP. 33.50	PAP. 33.60	PAP. 33.80	PAP. 33.90
1	5	PAP. 33.51	PAP. 33.61	PAP. 33.81	PAP. 33.91
2	6	PAP. 33.52	PAP. 33.62	PAP. 33.82	PAP. 33.92
3	7	PAP. 33.53	PAP. 33.63	PAP. 33.83	PAP. 33.93
4	8	PAP. 33.54	PAP. 33.64	PAP. 33.84	PAP. 33.94
5	9	PAP. 33.55	PAP. 33.65	PAP. 33.85	PAP. 33.95
6	10	PAP. 33.56	PAP. 33.66	PAP. 33.86	PAP. 33.96
7	11	PAP. 33.57	PAP. 33.67	PAP. 33.87	PAP. 33.97
8	12	PAP. 33.58	PAP. 33.68	PAP. 33.88	PAP. 33.98
9	13	PAP. 33.59	PAP. 33.69	PAP. 33.89	PAP. 33.99



TROUSSEAU
 PAP. 36.14
 14 cm / 5 1/2"



LABORDE
 PAP. 37.14
 14 cm / 5 1/2"



LUKENS
 PAP. 39.17
 17 cm / 6 3/4"

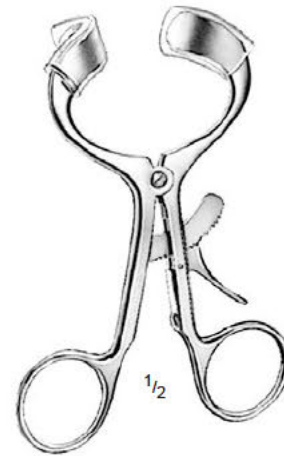


JACKSON
 PAP. 40.17
 17 cm / 6 3/4"

Mouth Gags



HEISTER
PAQ. 05.05
13 cm / 5"

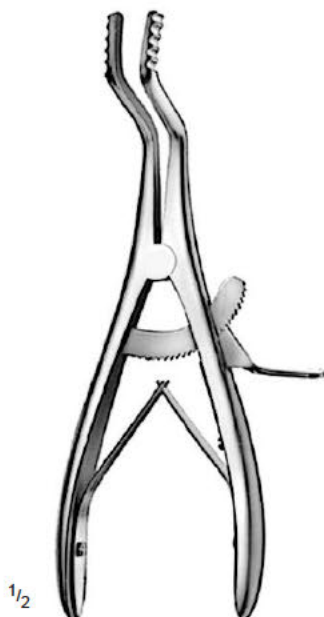


MOLT
PAQ. 06.10 – 10 cm / 4"
PAQ. 07.13 – 13 cm / 5"
PAQ. 07.15 – 15 cm / 6"



JENNINGS
PAQ. 09.09 – 9 cm / 3 1/2"
PAQ. 09.11 – 11 cm / 4 1/2"
PAQ. 09.13 – 13 cm / 5"
PAQ. 09.15 – 15 cm / 6"

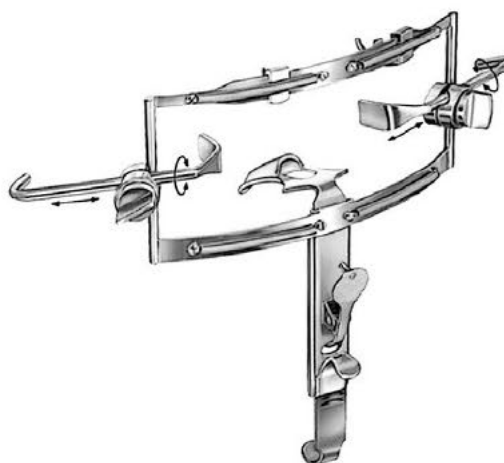
Mouth Gags



ROSER - KONIG
 PAQ. 13.45 - 16 cm / 6 1/4"
 PAQ. 13.50 - 20 cm / 8"



DENHART
 PAQ. 14.60
 13 cm / 5"



DINGMAN
 PAQ. 18.00
 (Complete)

Tongue Depressors



$\frac{1}{2}$

TOBOLD
PAS. 01.14
 14 cm / 5 $\frac{1}{2}$ "



$\frac{1}{2}$

HARTMANN
PAS. 02.15
 15 cm / 6"



$\frac{1}{2}$

WIEDER
PAS. 02.21 – PAS. 02.22



PAS. 02.21
 14 cm / 5 $\frac{1}{2}$ "



$\frac{1}{4}$

PAS. 02.22
 15 cm / 6"



$\frac{1}{2}$

PAS. 03.14 – 14 cm / 5 $\frac{1}{2}$ "
 Stainless Steel

PAS. 03.16 – 16 cm / 6 $\frac{1}{4}$ "
 Wood



$\frac{1}{2}$

STERNBERG
PAS. 03.15
 14.5 cm / 5 $\frac{3}{4}$ "



$\frac{1}{2}$

BRUENING
PAS. 05.18
 19 cm / 7 $\frac{1}{2}$ "